



ECB/MGC

Centrifugal fans especially designed for recirculating hot air in ovens at a max. temperature of 300°C
Especially designed for bread and pastry ovens as well as industrial ovens



- Fan:**
- Sheet steel casing
 - Galvanised sheet steel multiblade impeller
 - Motor directly coupled to flange B-5
 - With one or two cooling impellers mounted on the motor shaft to dissipate the heat

- Finish:**
- Corrosion resistant with heat resistant paint, aluminium in colour

- Motor:**
- IE3 efficiency motors for powers equal to or higher than 0.75 kW except single-phase, 2-speed and 8-pole
 - IP55 protection
 - Three-phase 230/400 V 50 Hz (up to 4 kW) and 400/690 V 50 Hz (powers higher than 4 kW)
 - Maximum temperature of air to be carried: -25°C +300°C

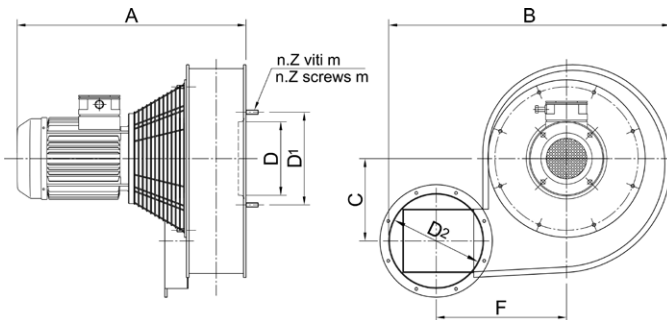
- On request:**
- Special windings for different voltages
 - Stainless steel fan

Characteristics

MOD.	FRAME	kW	RPM	dB(A)	CAPACITY (m³/s)							
					0.3	0.33	0.38	0.42	0.47	0.53	0.58	0.67
					TOTAL PRESSURE (mmH ₂ O)							
ECB 300 M G.C.	80B4	0.75	1350	65	47	49	50	50	51	50	48	43

Flow level margin ±5%
 Noise level margin +3...5 dB

Dimensions mm

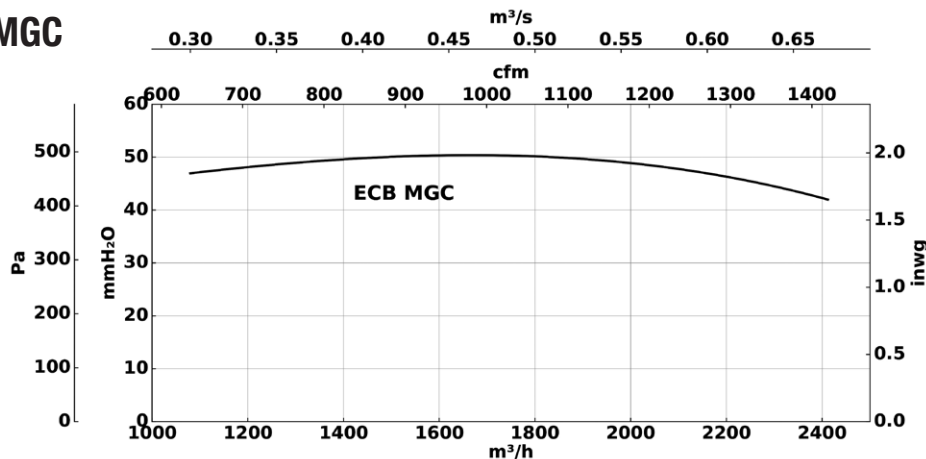


MOD.	FRAME	kW	RPM	A	B	C	F
ECB 300 M G.C.	80B4	0.75	1350	515	665	200	285

MOD.	G	D	D1	m	Z	D2	kg
ECB 300 M G.C.	82	192	250	M8	6	250	35

Characteristic curves

ECB/MGC



Total pressure

Flow level margin ±5%
 Noise level margin +3...5 dB
 Margin of kW absorbed ±3%