



MVCMPH



Medium pressure centrifugal fans fitted with multiblade impeller and heat-resistant compartment with mineral fibre



Fan:

- Sheet steel structure
- Forward-curved impeller blades made of galvanised sheet steel
- Heat-resistant compartment with high-density mineral fibre and high thermal and acoustic insulation power

Motor:

- Class F motors with ball bearings and IP55 protection
- IE3 efficiency motors for powers equal to or greater than 0.75 kW except single-phase, 2-speed and 8-pole
- Three-phase 230/400 V-50 Hz (up to 4 kW) and 400/690 V-50 Hz (powers higher than 4 kW)

- Maximum temperature of air to be carried: -20°C +250°C

Finish:

- Treated with heat-resistant paint

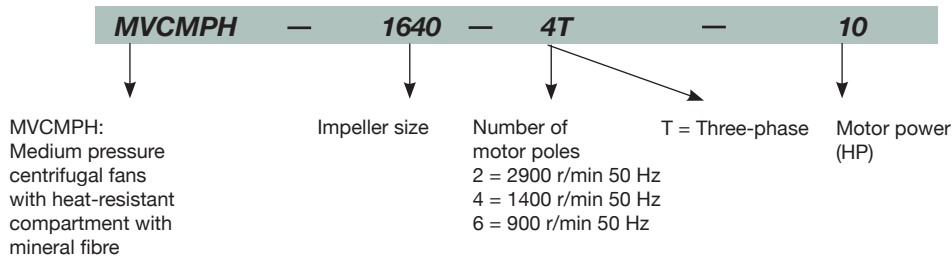
On request:

- Special windings for different voltages
- Construction entirely of stainless steel



Compartment insulated with high thermal insulation mineral fibre

Order code



Technical characteristics

Model	Speed (r/min)	Maximum admissible current (A)			Installed power (kW)	Maximum flow rate (m³/h)	Sound pressure level dB(A)	Approx. weight (kg)
		230 V	400 V	690 V				
MVCMPH-512-2T-0.25	2750	1.21	0.70		0.18	475	62	7
MVCMPH-512-4T-0.16	1320	0.96	0.56		0.12	255	55	7
MVCMPH-514-2T-0.25	2750	1.21	0.70		0.18	800	65	11
MVCMPH-514-4T-0.16	1320	0.96	0.56		0.12	565	58	11
MVCMPH-616-2T-0.5	2710	1.92	1.11		0.37	1380	69	13
MVCMPH-616-4T-0.16	1320	0.96	0.56		0.12	850	61	11
MVCMPH-620-2T-0.5	2710	1.92	1.11		0.37	765	68	15
MVCMPH-620-4T-0.16	1320	0.96	0.56		0.12	810	61	13
MVCMPH-718-2T-1 IE3	2825	2.80	1.62		0.75	1485	70	23
MVCMPH-718-4T-0.33	1350	1.52	0.88		0.25	1280	63	15
MVCMPH-820-2T-1.5 IE3	2830	4.03	2.34		1.10	1950	73	21
MVCMPH-820-4T-0.33	1350	1.52	0.88		0.25	1670	66	15
MVCMPH-922-2T-1.5 IE3	2830	4.03	2.34		1.10	1650	70	25
MVCMPH-922-2T-2 IE3	2875	5.34	3.07		1.50	2010	71	31
MVCMPH-922-2T-3 IE3	2910	7.32	4.21		2.20	2600	74	34
MVCMPH-922-4T-0.75	1380	2.92	1.69		0.55	2450	66	22
MVCMPH-1025-2T-3 IE3	2910	7.32	4.21		2.20	2100	73	35
MVCMPH-1025-2T-4 IE3	2910	10.00	5.77		3.00	2830	77	41

Technical characteristics

Model	Speed (r/min)	Maximum admissible current (A)			Installed power (kW)	Maximum flow rate (m ³ /h)	Sound pressure level dB(A)	Approx. weight (kg)
		230 V	400 V	690 V				
MVCMPH-1025-4T-1.5 IE3	1455	4.07	2.34		1.10	3400	70	31
MVCMPH-1128-2T-4 IE3	2910	10.00	5.77		3.00	2220	77	46
MVCMPH-1128-2T-5.5 IE3	2900	13.00	7.50		4.00	3210	81	59
MVCMPH-1128-4T-3 IE3	1435	7.93	4.56		2.20	5000	74	45
MVCMPH-1128-6T-1 IE3	940	3.36	1.93		0.75	3300	60	39
MVCMPH-1231-4T-3 IE3	1435	7.93	4.56		2.20	4740	73	45
MVCMPH-1231-4T-4 IE3	1440	10.70	6.15		3.00	5910	75	51
MVCMPH-1231-4T-5.5 IE3	1450	13.90	8.00		4.00	6850	77	53
MVCMPH-1231-6T-2 IE3	950	6.43	3.70		1.50	5115	64	47
MVCMPH-1435-4T-4 IE3	1440	10.70	6.15		3.00	5560	76	52
MVCMPH-1435-4T-5.5 IE3	1450	13.90	8.00		4.00	6260	78	55
MVCMPH-1435-4T-7.5 IE3	1465		10.30	5.97	5.50	7210	80	90
MVCMPH-1435-6T-3 IE3	950	9.08	5.22		2.20	6400	66	54
MVCMPH-1640-4T-5.5 IE3	1450	13.90	8.00		4.00	7500	77	67
MVCMPH-1640-4T-7.5 IE3	1465		10.30	5.97	5.50	8035	80	102
MVCMPH-1640-4T-10 IE3	1465		13.90	8.06	7.50	9710	82	106
MVCMPH-1640-6T-3 IE3	950	9.08	5.22		2.20	8100	71	66
MVCMPH-1845-4T-7.5 IE3	1465		10.30	5.97	5.50	8965	82	113
MVCMPH-1845-4T-10 IE3	1465		13.90	8.06	7.50	10350	85	117
MVCMPH-1845-6T-3 IE3	950	9.08	5.22		2.20	8330	77	77
MVCMPH-2050-4T-10 IE3	1465		13.90	8.06	7.50	9000	83	128
MVCMPH-2050-4T-15 IE3	1470		20.90	12.10	11.00	12525	87	156
MVCMPH-2050-4T-20 IE3	1465		27.90	16.20	15.00	19000	89	167
MVCMPH-2050-6T-5.5 IE3	960	15.60	8.99		4.00	11000	79	122
MVCMPH-2563-6T-15 IE3	975		21.90	12.70	11.00	16500	86	202
MVCMPH-2563-6T-25 IE3	980		35.90	20.80	18.50	28000	87	306

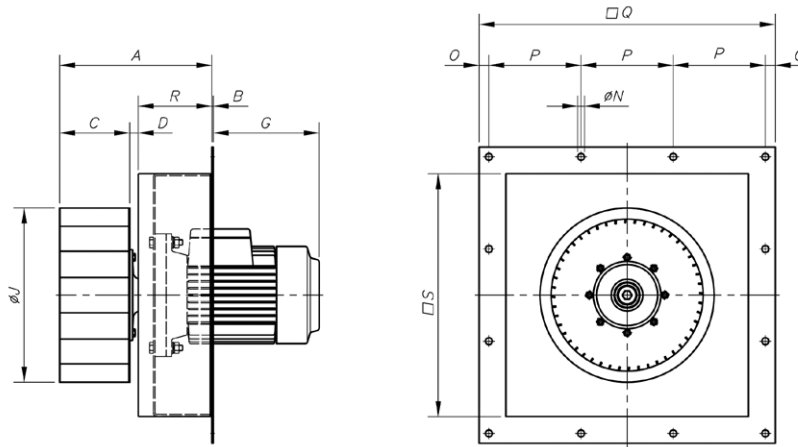
Acoustic characteristics

Sound power spectrum Lw(A) in dB(A) per frequency band in Hz.

	63	125	250	500	1000	2000	4000	8000		63	125	250	500	1000	2000	4000	8000
MVCMPH-512-2T-0.25	37	47	58	65	69	66	64	57	MVCMPH-1128-6T-1	35	45	56	63	67	64	62	55
MVCMPH-512-4T-0.16	30	40	51	58	62	59	57	50	MVCMPH-1231-4T-3	51	60	71	78	82	80	78	71
MVCMPH-514-2T-0.25	40	50	61	68	72	69	67	60	MVCMPH-1231-4T-4	53	62	73	80	84	82	80	73
MVCMPH-514-4T-0.16	33	43	54	61	65	62	60	53	MVCMPH-1231-4T-5.5	55	64	75	82	86	84	82	75
MVCMPH-616-2T-0.5	44	54	65	72	76	73	71	64	MVCMPH-1231-6T-2	42	51	62	69	73	71	69	62
MVCMPH-616-4T-0.16	36	46	57	64	68	65	63	56	MVCMPH-1435-4T-4	54	63	74	81	85	83	81	74
MVCMPH-620-2T-0.5	43	53	64	71	75	72	70	63	MVCMPH-1435-4T-5.5	56	65	76	83	87	85	83	76
MVCMPH-620-4T-0.16	36	46	57	64	68	65	63	56	MVCMPH-1435-4T-7.5	58	67	78	85	89	87	85	78
MVCMPH-718-2T-1	45	55	66	73	77	74	72	65	MVCMPH-1435-6T-3	44	53	64	71	75	73	71	64
MVCMPH-718-4T-0.33	38	48	59	66	70	67	65	58	MVCMPH-1640-4T-5.5	55	64	75	82	86	84	82	75
MVCMPH-820-2T-1.5	48	58	69	76	80	77	75	68	MVCMPH-1640-4T-7.5	58	67	78	85	89	87	85	78
MVCMPH-820-4T-0.33	41	51	62	69	73	70	68	61	MVCMPH-1640-4T-10	60	69	80	87	91	89	87	80
MVCMPH-922-2T-1.5	45	55	66	73	77	74	72	65	MVCMPH-1640-6T-3	49	58	69	76	80	78	76	69
MVCMPH-922-2T-2	46	56	67	74	78	75	73	66	MVCMPH-1845-4T-7.5	61	71	82	89	93	91	89	81
MVCMPH-922-2T-3	49	59	70	77	81	78	76	69	MVCMPH-1845-4T-10	64	74	85	92	96	94	92	84
MVCMPH-922-4T-0.75	41	51	62	69	73	70	68	61	MVCMPH-1845-6T-3	56	66	77	84	88	86	84	76
MVCMPH-1025-2T-3	48	58	69	76	80	77	75	68	MVCMPH-2050-4T-10	62	72	83	90	94	92	90	82
MVCMPH-1025-2T-4	52	62	73	80	84	81	79	72	MVCMPH-2050-4T-15	66	76	87	94	98	96	94	86
MVCMPH-1025-4T-1.5	45	55	66	73	77	74	72	65	MVCMPH-2050-4T-20	68	78	89	96	100	98	96	88
MVCMPH-1128-2T-4	52	62	73	80	84	81	79	72	MVCMPH-2050-6T-5.5	58	68	79	86	90	88	86	78
MVCMPH-1128-2T-5.5	56	66	77	84	88	85	83	76	MVCMPH-2563-6T-15	67	77	88	95	99	96	94	87
MVCMPH-1128-4T-3	49	59	70	77	81	78	76	69	MVCMPH-2563-6T-25	68	78	89	96	100	97	95	88



Dimensions mm



	A	B	C	D	G Max.	øJ	øN	O	P	Q	R	S
MVCMPH-512	108	3	50.5	6.5	159	120	7	12	97	315	50	260
MVCMPH-514	158.5	3	51.5	7	109	140	7	10	125	395	100	340
MVCMPH-616	169.5	3	62	6.5	155	160	7	10	125	395	100	353
MVCMPH-718	179.5	3	74	5	180	180	7	10	125	395	100	340
MVCMPH-620-2T-0.5	167	3	62	5	155	200	7	10	125	395	100	340
MVCMPH-620-4T-0.14	167	3	62	9	155	200	7	10	125	395	100	340
MVCMPH-820	187	3	82	4.5	180	200	7	10	125	395	100	340
MVCMPH-922	246.5	3	92	4.5	186	225	9	15	150	480	150	400
MVCMPH-1025	256.5	3	102	4.5	210	250	9	15	150	480	150	400
MVCMPH-1128	279.5	3	114	15	239	280	14	20	188	604	150	495
MVCMPH-1231	293.5	3	128	15	239	315	14	20	188	604	150	495
MVCMPH-1435	310.5	3	143	17.5	277	355	14	20	188	604	150	495
MVCMPH-1640	332	5	163	17.5	277	404	14	15	200	630	150	565
MVCMPH-1845-4T-7.5	353	5	180	23.5	277	454	14	16	236	740	150	673
MVCMPH-1845-4T-10	353	5	180	23.5	277	454	14	16	236	740	150	673
MVCMPH-1845-6T-3	347	5	180	17.5	239	454	14	16	236	740	150	673
MVCMPH-2050	376.5	5	204	23.5	388	500	14	16	236	740	150	673
MVCMPH-2563-6T-15	425	5	254	22.5	555	630	14	19	284	890	150	813
MVCMPH-2563-6T-25	443.5	5	254	39.5	555	630	14	19	284	890	150	813

Characteristic curves

See CMP series characteristic curves.

Accessories

See accessories section.



INT C2V RM VSD3/A-RFT AET