



MVCMSH



Medium pressure centrifugal fans fitted with backward-curved impeller blades and a heat-resistant compartment with mineral fibre



Fan:

- Sheet steel structure
- Impeller with reaction blades made of sheet steel
- Heat-resistant compartment with high-density mineral fibre and high thermal and acoustic insulation power
- Mineral fibre with a thickness of 30 mm

Motor:

- IE3 efficiency motors for powers equal to or greater than 0.75 kW except single-phase, 2-speed and 8-pole
- Class F motors with ball bearings and IP55 protection
- Three-phase 230/400 V-50 Hz (up to 4 kW) and 400/690 V-50 Hz (powers higher than 4 kW)

- Maximum temperature of air to be carried: -20°C +250°C

Finish:

- Treated with heat-resistant paint

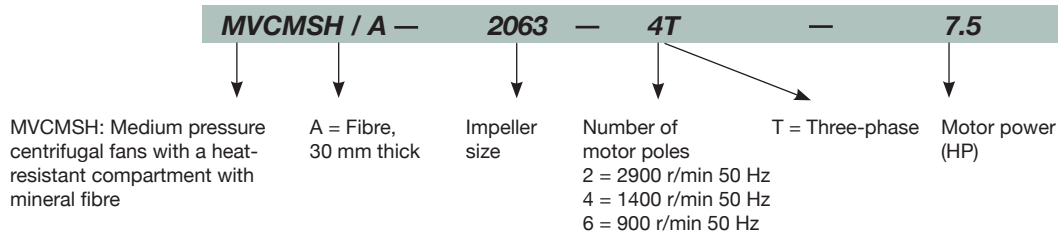
On request:

- Special windings for different voltages
- Construction entirely of stainless steel



Compartment insulated with high thermal insulation mineral fibre

Order code



Technical characteristics

Model	Speed (r/min)	Maximum admissible current (A)			Installed power (kW)	Maximum flow rate (m³/h)	Sound pressure level dB(A)	Approx. weight (kg)
		230 V	400 V	690 V				
MVCMSH-831-2T-2 IE3	2875	5.34	3.07		1.50	2650	65	31
MVCMSH-935-2T-2 IE3	2875	5.34	3.07		1.50	3660	70	39
MVCMSH-1040-4T-1.5 IE3	1455	4.07	2.34		1.10	2660	57	36
MVCMSH-1145-4T-1.5 IE3	1455	4.07	2.34		1.10	3940	61	58
MVCMSH-1240-4T-1.5 IE3	1455	4.07	2.34		1.10	5300	62	57
MVCMSH-1445-4T-2 IE3	1440	5.41	3.11		1.50	8450	70	69
MVCMSH-1650-4T-3 IE3	1435	7.93	4.56		2.20	10900	71	80
MVCMSH-1856-4T-5.5 IE3	1450	13.90	8.00		4.00	17100	77	93
MVCMSH-2063-4T-7.5 IE3	1465		10.30	5.97	5.50	19200	77	150
MVCMSH-2063-6T-3 IE3	950	9.08	5.22		2.20	13600	66	125
MVCMSH-2271-4T-15 IE3	1470		20.90	12.10	11.00	31000	83	196
MVCMSH-2271-4T-20 IE3	1465		27.90	16.20	15.00	34600	85	205
MVCMSH-2271-6T-5.5 IE3	960	15.60	8.99		4.00	21900	75	150
MVCMSH-2380-4T-30 IE3	1470		41.00	23.80	22.00	47600	86	266
MVCMSH-2380-6T-15 IE3	975		21.90	12.70	11.00	30900	78	279

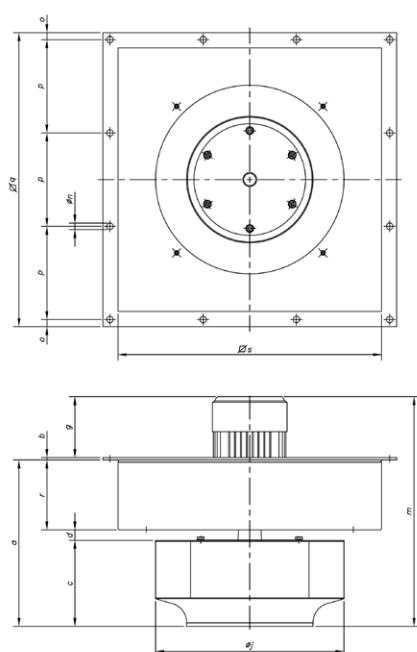
Acoustic characteristics

Sound power spectrum Lw(A) in dB(A) per frequency band in Hz.

	63	125	250	500	1000	2000	4000	8000
MVCMSH-831-2T-2	54	63	68	68	72	71	64	58
MVCMSH-935-2T-2	59	68	73	73	77	76	69	63
MVCMSH-1040-4T-1,5	50	56	61	62	65	67	59	53
MVCMSH-1145-4T-1,5	56	62	67	68	71	73	65	59
MVCMSH-1240-4T-1,5	46	59	61	73	69	67	64	56
MVCMSH-1445-4T-2	55	65	78	81	79	79	75	65
MVCMSH-1650-4T-3	52	65	79	79	82	80	77	67
MVCMSH-1856-4T-5,5	64	71	88	88	87	87	86	83

	63	125	250	500	1000	2000	4000	8000
MVCMSH-2063-4T-7,5	66	72	91	86	86	86	83	74
MVCMSH-2063-6T-3	58	69	76	77	78	77	71	61
MVCMSH-2271-4T-15	73	79	97	96	94	94	91	83
MVCMSH-2271-4T-20	75	81	99	98	96	96	93	85
MVCMSH-2271-6T-5,5	65	78	79	83	92	86	82	71
MVCMSH-2380-4T-30	76	82	100	99	97	97	94	86
MVCMSH-2380-6T-15	68	81	82	86	95	89	85	74

Dimensions mm



	a	b	c	d	g	øj	m	øn	o	p	øq	r	øs
MVCMSH-831-2T-2	253.5	3	83	20.5	174	315	432	9	15	150	480	150	400
MVCMSH-935-2T-2	265.5	3	93.5	22	186	350	454.5	14	20	188	604	150	495
MVCMSH-1040-4T-1'5	273.5	3	103.5	22	186	400	464	14	15	188	604	150	495
MVCMSH-1145-4T-1'5	283.5	5	114	19.5	186.5	450	475	14	15	200	630	150	565
MVCMSH-1240-4T-1'5	356.5	5	184	22.5	130.5	404	492	14	15	200	630	150	565
MVCMSH-1445-4T-2	397.5	5	220	27.5	186.6	458	589	14	15	200	630	150	565
MVCMSH-1650-4T-3	428	5	248	27.5	216	508	649	14	16	236	740	150	673
MVCMSH-1856-4T-5'5	449.5	5	277.5	22	216	577	671	14	16	236	740	150	673
MVCMSH-2063-4T-7'5	470	5	299	21	277.5	644	752.5	14	19	284	890	150	813
MVCMSH-2063-6T-3	470	5	299	21	239.5	644	714.5	14	19	284	890	150	813
MVCMSH-2271-4T-15	500	5	330	20	395.5	719	900.5	14	19	284	890	150	813
MVCMSH-2271-4T-20	500	5	330	20	395.5	719	900.5	14	19	284	890	150	813
MVCMSH-2271-6T-5'5	466	5	295	21	277.5	719	748.5	14	19	284	890	150	813
MVCMSH-2380-4T-30	538.5	5	366	22.5	538.5	808	1056	14	19	248	1030	150	953
MVCMSH-2380-6T-15	538.5	5	366	22.5	395.5	808	939	14	19	248	1030	150	953

Accessories

See accessories section.



INT

C2V

RM

VSD3/A-RFT

AET

ARO

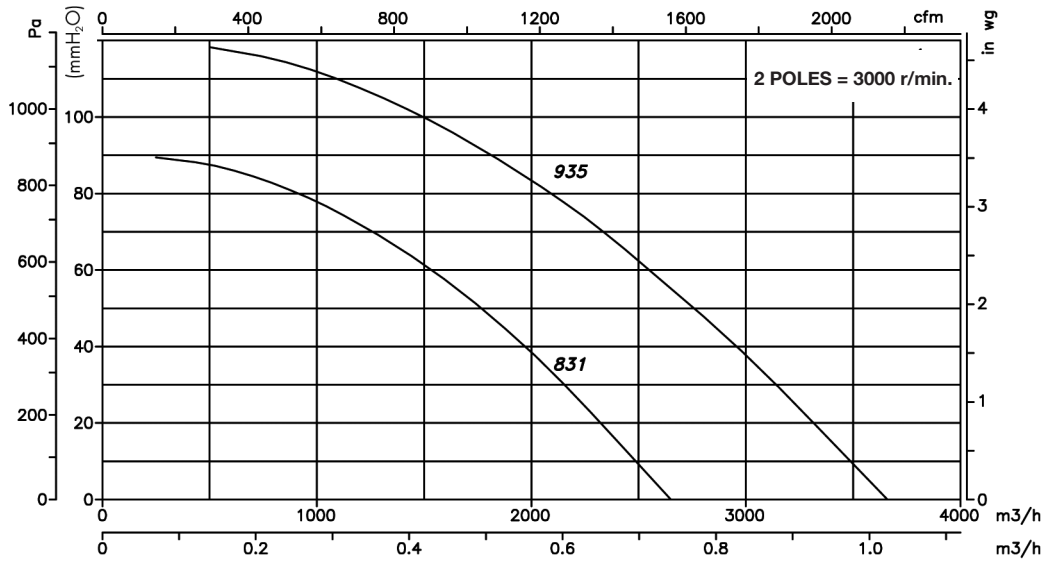


Characteristic curves

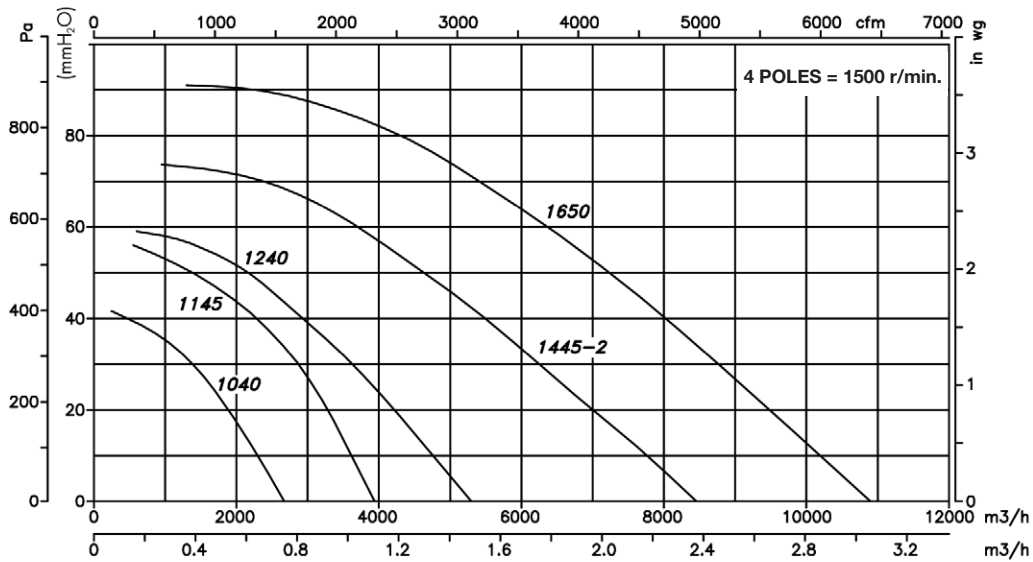
Q = Flow rate in m³/h, m³/s and cfm.

Pe = Static pressure in mm H₂O, Pa and inwg.

MVCMSH 831...935



MVCMSH 1040...1650

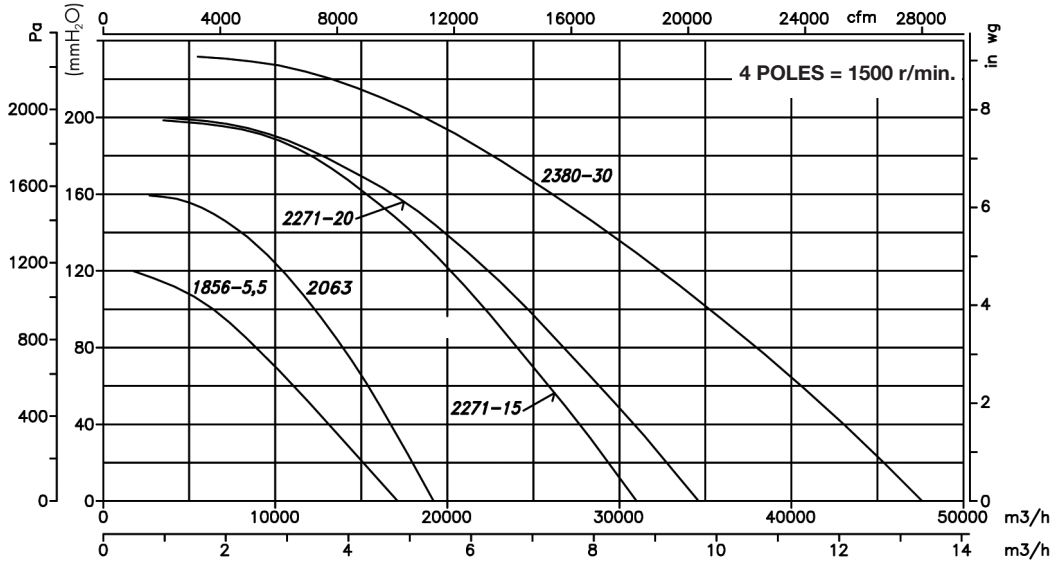


Characteristic curves

Q = Flow rate in m³/h, m³/s and cfm.

Pe = Static pressure in mm H₂O, Pa and inwg.

MVCMSH 1856...2380



MVCMSH 2063...2380

