



# BP/F

**Stainless steel centrifugal fans especially designed for extracting hot air at a max. temperature of 80°C and water vapour from extract hoods with a horizontal air outlet**  
**Especially designed for bread and pastry ovens as well as industrial ovens**



- Fan:**
- Stainless sheet steel casing
  - Stainless sheet steel multiblade impeller
  - Motor directly coupled to flange B-5
- Motor:**
- IE3 efficiency motors for powers equal to or higher than 0.75 kW except single-phase, 2-speed and 8-pole
  - IP55 protection
  - Three-phase 230/400 V 50 Hz (up to 4 kW) and 400/690 V 50 Hz (powers higher than 4 kW)
  - Maximum temperature of air to be carried: -25°C +80°C

- Finish:**
- Stainless sheet steel
- On request:**
- Special windings for different voltages
  - Painted steel fan



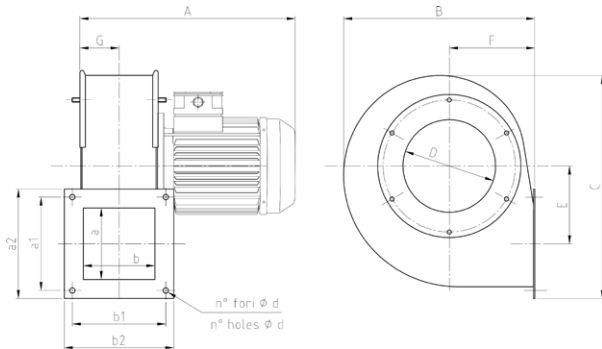
Upon request: fan support flange

## Characteristics

MOD.	FRAME	kW	RPM	dB(A)	CAPACITY (m³/s)											
					0.008	0.017	0.03	0.06	0.07	0.08	0.1	0.12	0.13	0.16	0.17	
BP 100 F	63A2	0.18	2680	58				30	32	33	34	35	36	36	30	24
BP 100 F	63A4	0.18	1340	48	6	6	7	7	7	8	7					

Flow level margin ±5%  
 Noise level margin +3...5 dB

## Dimensions mm



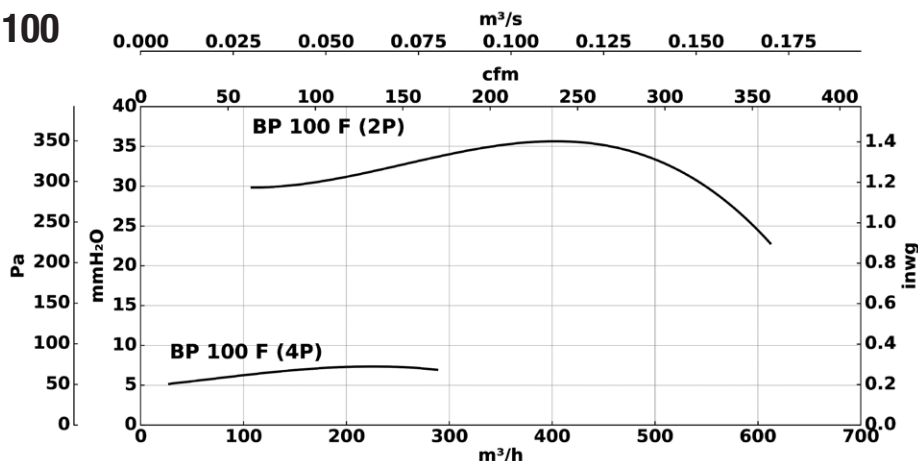
MOD.	FRAME	kW	RPM	A	B	C	E	F
BP 100 F	63A2	0.18	2680	260	220	251	92	102
BP 100 F	63A4	0.18	1340	260	220	251	92	102

MOD.	G	D1	a x b	a1	b1	a2	b2	n°
BP 100 F	48	155	86 x 86	110	110	130	130	4
BP 100 F	48	155	86 x 86	110	110	130	130	4

MOD.	d	kg
BP 100 F	7	6.45
BP 100 F	7	6.45

## Characteristic curves

### BP/F 100



Total pressure  
 Flow level margin ±5%  
 Noise level margin +3...5 dB  
 Margin of kW absorbed ±3%